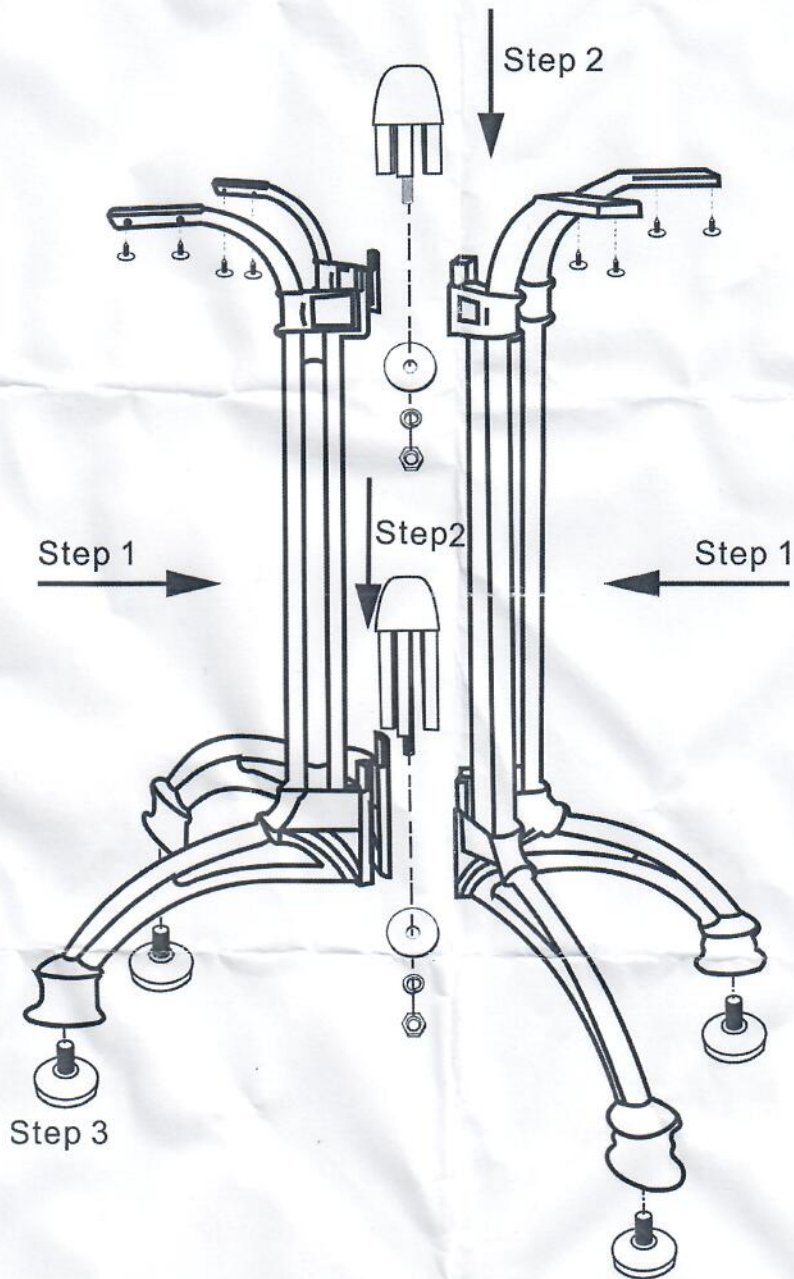

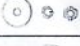



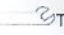
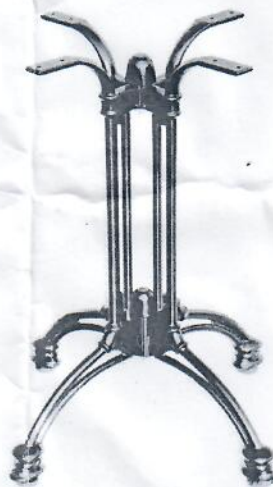


INSTRUCTION MANUAL



NO	PART	QTY
A		4
B		2
C		1
D		1
E		4
F	 TOOL	1



Reference Number: Flex / Empire 4 Bar